

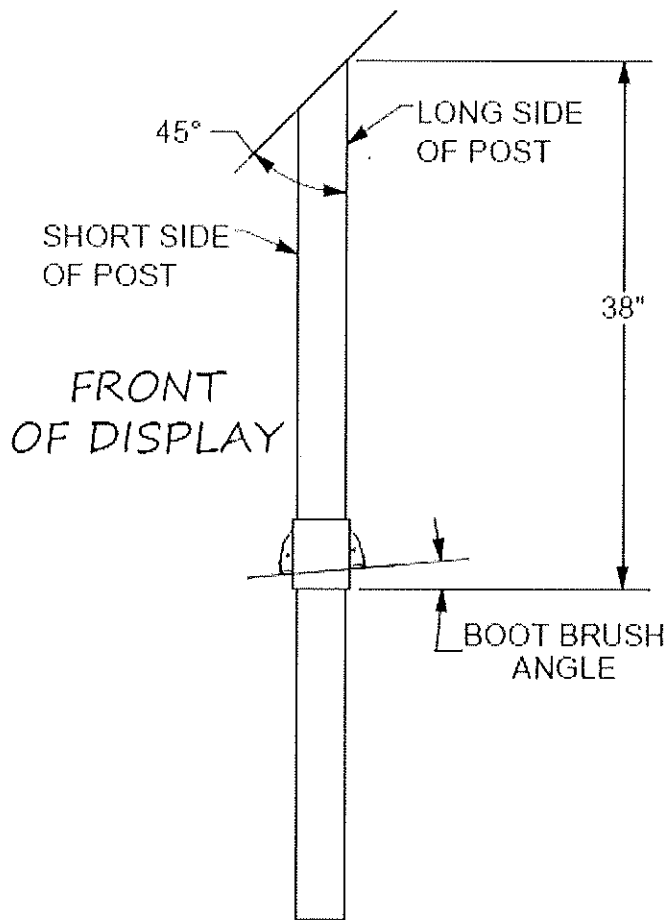
BOOT BRUSH STATION INSTALLATION

TOOLS NEEDED: hammer, level, tape measure, square, socket set, crescent wrench or open ended wrench set, drill, 3/8" drill bit, Allen key set (5/32"), drop cloth or protective sheeting, and circular saw for cutting wood posts.

Typical installation will have the front edge of 18x24 panel 32" off the ground and the bottom of the boot brush 3" off the ground. Using a 60" (5') long 4x4 treated wood post will allow for approximately 20" of buried depth.

Posts should be installed per your geographical area's recommendations.

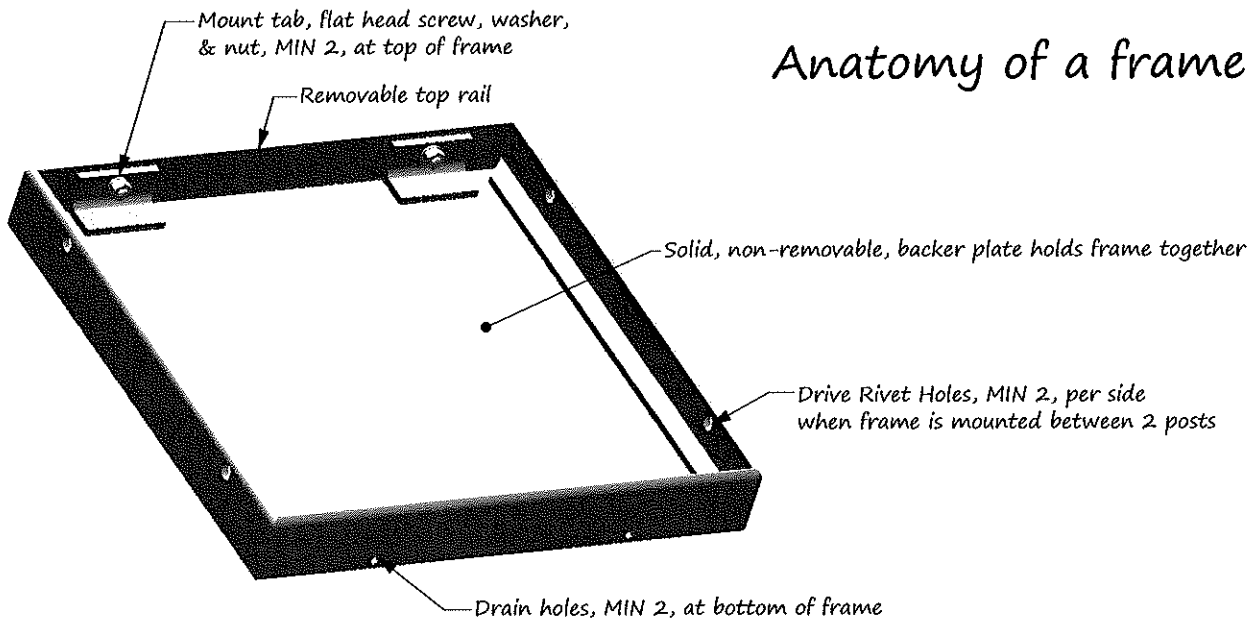
Cut the top of your posts at a 45 degree angle. From the longest side of the post, measure down 38" and make a line across each post. Lay the short side of both posts on a flat surface. Protecting the boot brush assembly from the surface, slide the assembly on both posts, until



the bottom of the boot brush sleeve is aligned with the line you marked on the posts. Mark each hole location from both boot brush sleeves on each post. Remove the boot brush assembly from the posts. Protecting the frame from the surface, with the angle of the posts matching the angle of the frame, slide both posts all the way into the sleeves of the frame. Mark each hole location from both sleeves on each post. Remove the posts from the frame. With a 3/8" drill bit, drill through the posts at each of the (4) marked locations. Replace the frame and boot brush assembly on the posts. Be sure the boot brush assembly angle has the lower side to the front of the display. The frame and boot brush assembly will slope up and away from the viewer. With a washer between each sleeve surface and bolt or nut face, install the bolts provided thru each hole. Securely attach the locknut to the bolt with a 1/2" socket and wrench. Wood shims may be added between the sleeve and wood post if necessary.

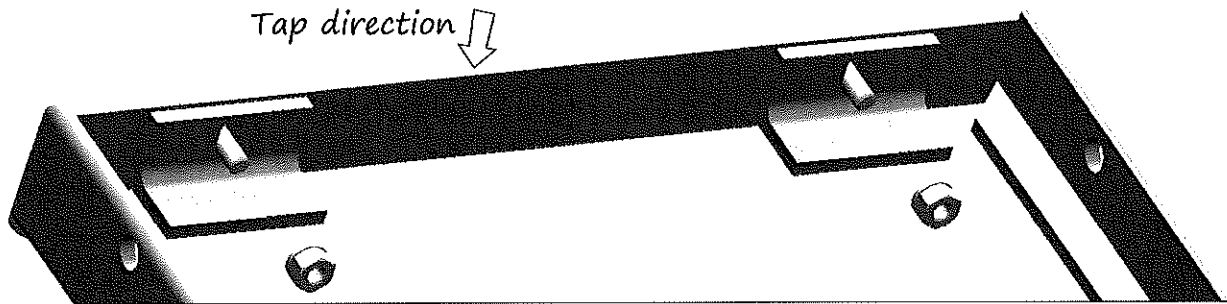
To install/replace your sign or graphic panel, using the Allen key set (5/32") and 7/16" wrench, remove the bolts from the top frame edge. Remove the top edge of the frame, and slide in/out your graphic panel. Replace the top rail and tighten the screws with your Allen key and wrench.

Anatomy of a frame



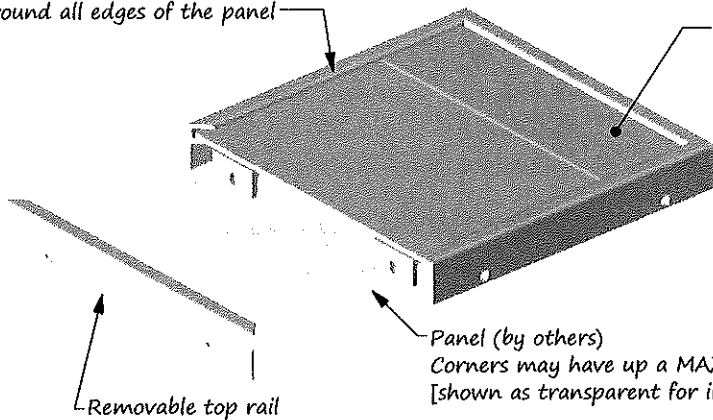
Removal of the top rail for initial use:

- * Typically it is easier to first remove the nuts on the back side of the frame, using a 7/16" wrench
- * If the bolt starts to spin, use a 5/32" Allen wrench to hold the head of the bolt
- (NOTE: powder coat buildup can make it difficult to insert the Allen wrench. It is ok to use a rubber mallet to tap the wrench in.)
- * After the nuts are removed, the top rail can be removed by lightly tapping it off with a rubber mallet
- (Use care not to chip the powder coat)



NOTE: frame edges will cover a 5/8" margin around all edges of the panel

NOTE: open face design of frame, the panel is exposed to the elements. Be sure to consider this when selecting your panel &/or manufacturer



Frames are upsized & built to fit the physical panel size specified